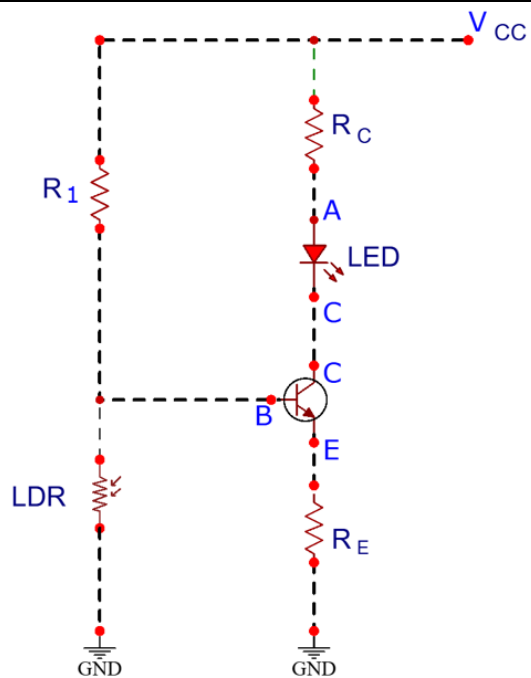
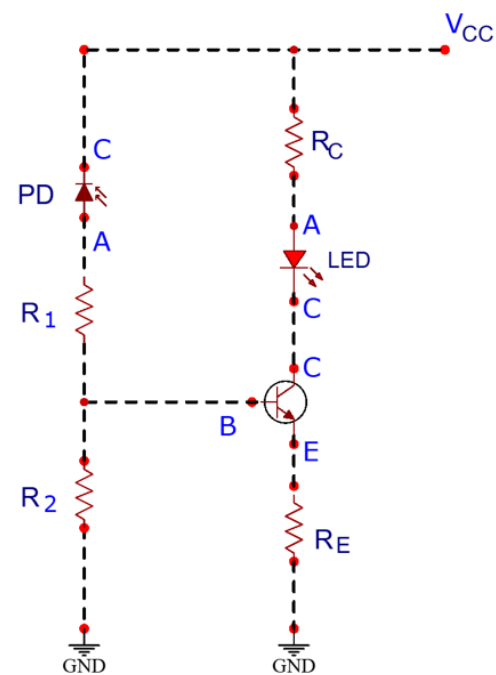


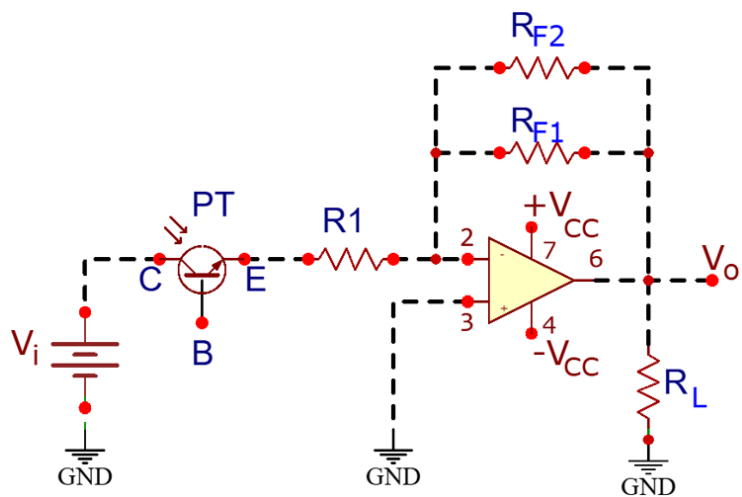
Optoelectronic Device



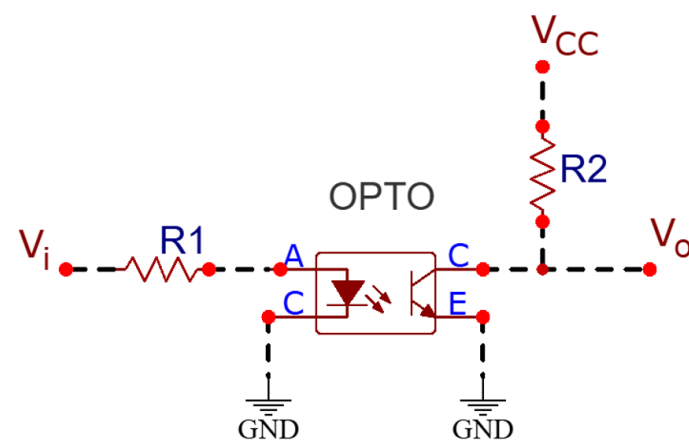
Photoresistor (LDR)



Photodiode



Phototransistor



Optocoupler